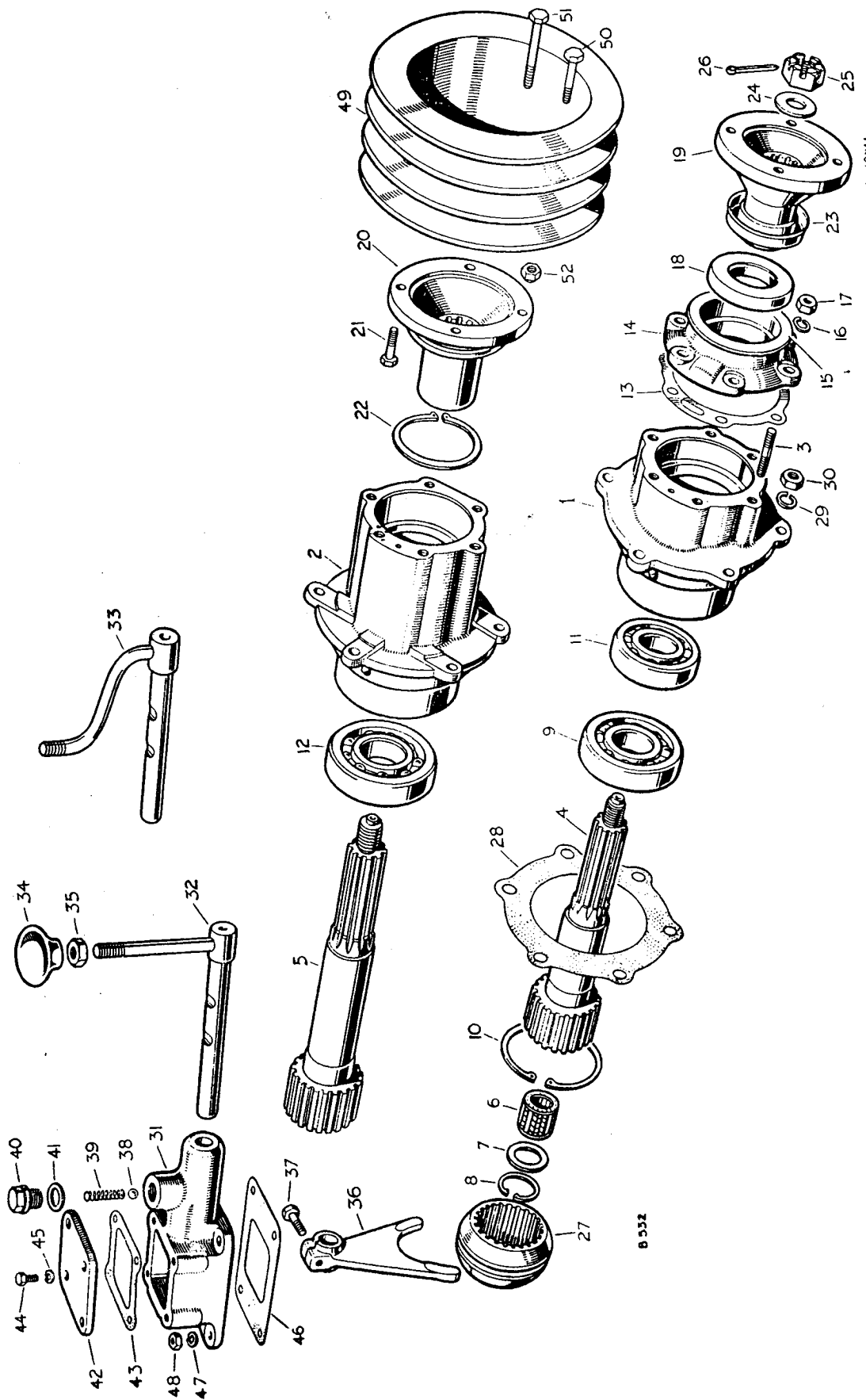


REAR AND CENTRE POWER TAKE-OFF GEARBOX UNITS (Except Forward Control)



COLLINS JONES

B 532

REAR AND CENTRE POWER TAKE-OFF GEARBOX UNITS (Except Forward Control)

QTY.	1	2	3	4	DESCRIPTION	Qty.	Part No.	REMARKS
					GEARBOX P.T.O. DRIVE ASSEMBLY	1	230855	
					GEARBOX P.T.O. DRIVE ASSEMBLY	1	235241	Heavy-duty type
1					HOUSING ASSEMBLY FOR DRIVE BEARING	1	219860	
2					HOUSING ASSEMBLY FOR DRIVE BEARING	1	235239	Heavy-duty type
3					Stud for oil seal housing	6	216986	
4					Shaft for P.T.O. drive	1	219744	
5					Shaft for P.T.O. drive	1	235237	Heavy-duty type
6					Bearing for gearbox mainshaft	1	217478	
7					Retaining plate for bearing	1	217523	
8					Circlip fixing retaining plate	1	217525	
9					Bearing for drive shaft, front	1	55714	
10					Circlip, bearing to housing	1	217972	
11					Bearing for drive shaft, rear	1	217325	
12					Bearing for drive shaft, rear	1	235240	Heavy-duty type
13					Shim for bearing, .003"	As required	41050	
					Shim for bearing, .005"	As required	41131	
14					Housing for oil seal	1	236543	
15					Mudshield for housing	1	236548	
16					Spring washer	6	3075	} Fixing oil seal housing to bearing housing
17					Nut ($\frac{1}{8}$ " B.S.F.)	6	2828	
18					Oil seal for drive shaft	1	236417	
19					Flange for P.T.O. drive shaft	1	237912	
20					Flange for P.T.O. drive shaft	1	235253	} Heavy-duty type
21					Bolt ($\frac{3}{8}$ " B.S.F. x $1\frac{1}{8}$ " long) for flange	4	215328	
22					Circlip retaining bolts	1	217546	
23					Mudshield for flange	1	236074	
24					Plain washer	1	3300	
25					Slotted nut	1	3259	} Fixing flange to shaft
26					Split pin	1	2428	
27					Dog clutch for P.T.O. shaft	1	217522	
28					Joint washer for housing	1	217680	
29					Spring washer	6	3076	} Fixing housing to transfer case
30					Nut ($\frac{3}{8}$ " B.S.F.)	6	2827	
					P.T.O. SELECTOR ASSEMBLY	1	230693	
					P.T.O. SELECTOR ASSEMBLY	1	231853	Heavy-duty type
31					Housing for P.T.O. selector	1	217773	
32					Selector shaft and rod for P.T.O.	1	218171	
33					Selector shaft and rod for P.T.O.	1	231507	Heavy-duty type
34					Knob for rod	1	218050	
35					Locknut ($\frac{7}{8}$ ") for knob	1	3764	
36					Fork for selector shaft	1	217584	
37					Set bolt ($\frac{1}{8}$ " B.S.F. x 1" long) fixing fork to shaft	1	237160	} With selector knob under centre seat
38					Steel ball	1	1643	
39					Spring	1	214290	} For selector shaft
40					Plug for spring	1	217763	
41					Joint washer for plug	1	213960	
42					Cover plate for housing	1	528235	
43					Joint washer for plate	1	219995	
44					Set bolt ($\frac{1}{4}$ " Whit. x $\frac{3}{4}$ " long)	4	215594	} Alternatives. Check before ordering
					Set bolt ($\frac{1}{4}$ " Whit. x $\frac{1}{2}$ " long)	4	215758	
45					Spring washer	4	3074	

REAR AND CENTRE POWER TAKE-OFF GEARBOX UNITS (Except Forward Control)

PLATE REF.	1	2	3	4	DESCRIPTION	Qty.	Part No.	REMARKS
					P.T.O. SELECTOR ASSEMBLY	1	509076	
					Housing for P.T.O. selector	1	217773	
					Selector shaft for P.T.O.	1	506203	
					Fork for selector shaft	1	217584	
					Set bolt ($\frac{1}{8}$ " B.S.F. x 1" long) fixing fork to shaft	1	237160	
					Steel ball } For selector	1	1643	
					Spring } shaft	1	56102	
					Plug for spring	1	217763	
					Joint washer for plug	1	213960	
					Cover plate for housing	1	528235	
					Joint washer for plate	1	219995	
					Set bolt ($\frac{1}{4}$ " Whit. x $\frac{3}{4}$ " long) } Fixing	4	215594	} Alternatives. } Check before ordering
					Set bolt ($\frac{1}{4}$ " Whit. x $\frac{1}{2}$ " long) } cover plate	4	215758	
					Spring washer	4	3074	} With selector knob in front of seat
					Pivot piece	1	506205	
					Locknut ($\frac{3}{8}$ " B.S.F.) for pivot piece	1	2323	
					Stud for P.T.O. housing and pivot piece	1	506204	
					Lever for selector shaft	1	506206	
					Clevis pin and spring complete } Fixing lever to	2	216421	
					Split pin } pivot piece	2	2423	
							and shaft	
					Rod for lever	1	506207	
					Grommet for rod	1	508571	
					Knob for rod	1	218050	
					Locknut ($\frac{1}{8}$ " B.S.F.) for knob	1	3764	
					Clevis pin and spring complete } Fixing lever	1	230279	
					Split pin } to rod	1	2422	
46					Joint washer for housing	1	217771	
47					Spring washer } Fixing housing to	4	3075	
48					Nut ($\frac{1}{8}$ " B.S.F.) } transfer box	4	2828	
49					Pulley for centre power take-off	1	231636	
50					Bolt ($\frac{3}{8}$ " B.S.F. x $1\frac{1}{8}$ " long) } Fixing pulley	4	237343	When centre P.T.O. pulley only is fitted
51					Bolt ($\frac{3}{8}$ " B.S.F. x $1\frac{1}{8}$ " long) }	4	237344	When rear P.T.O. is also fitted
52					Self-locking nut ($\frac{3}{8}$ " B.S.F.) }	4	251322	
					Cover for P.T.O. knob	1	301957	} With selector knob under centre seat
					Spring clip for cover	1	301139	
					Plain washer } Fixing spring clip	1	2869	
					Rivet } to centre panel	1	300783	

When centre power take-off is fitted, Part Nos. 230855 Gearbox power take-off drive assembly and 230693 Power take-off selector assembly are required; the pulley and bolts are normally supplied by the makers of any special equipment fitted.

When Part Nos. 230855 Gearbox power take-off drive assembly and 230693, 231853 or 509076 Power take-off selector assembly are fitted, the following parts, listed in the main parts catalogue, are not required: 230696 Mainshaft bearing housing complete: 217970 Cover plate.