

# FREE WHEELING HUBS

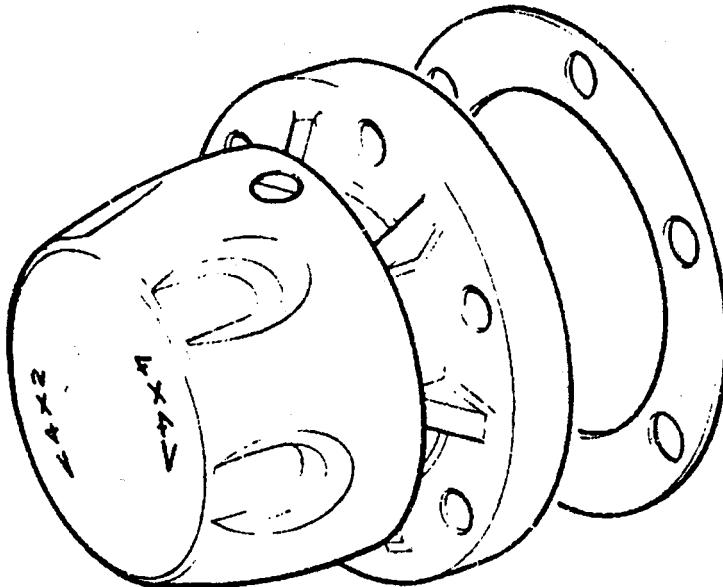
Kit Part Nos. RTC 8021 and RTC 8022

for the

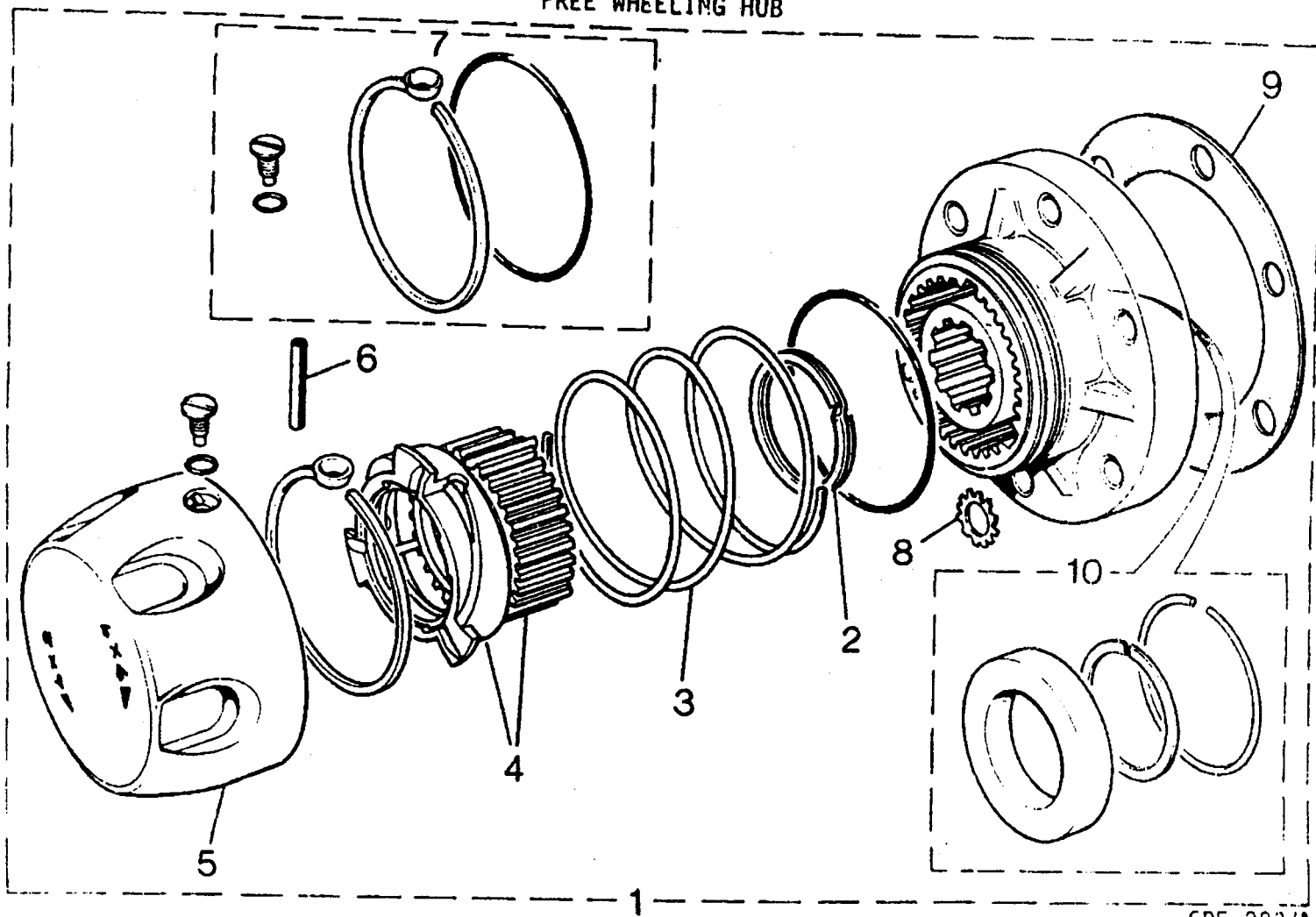
**LAND-ROVER**

**Series IIA**

**Series III**



FREE WHEELING HUB

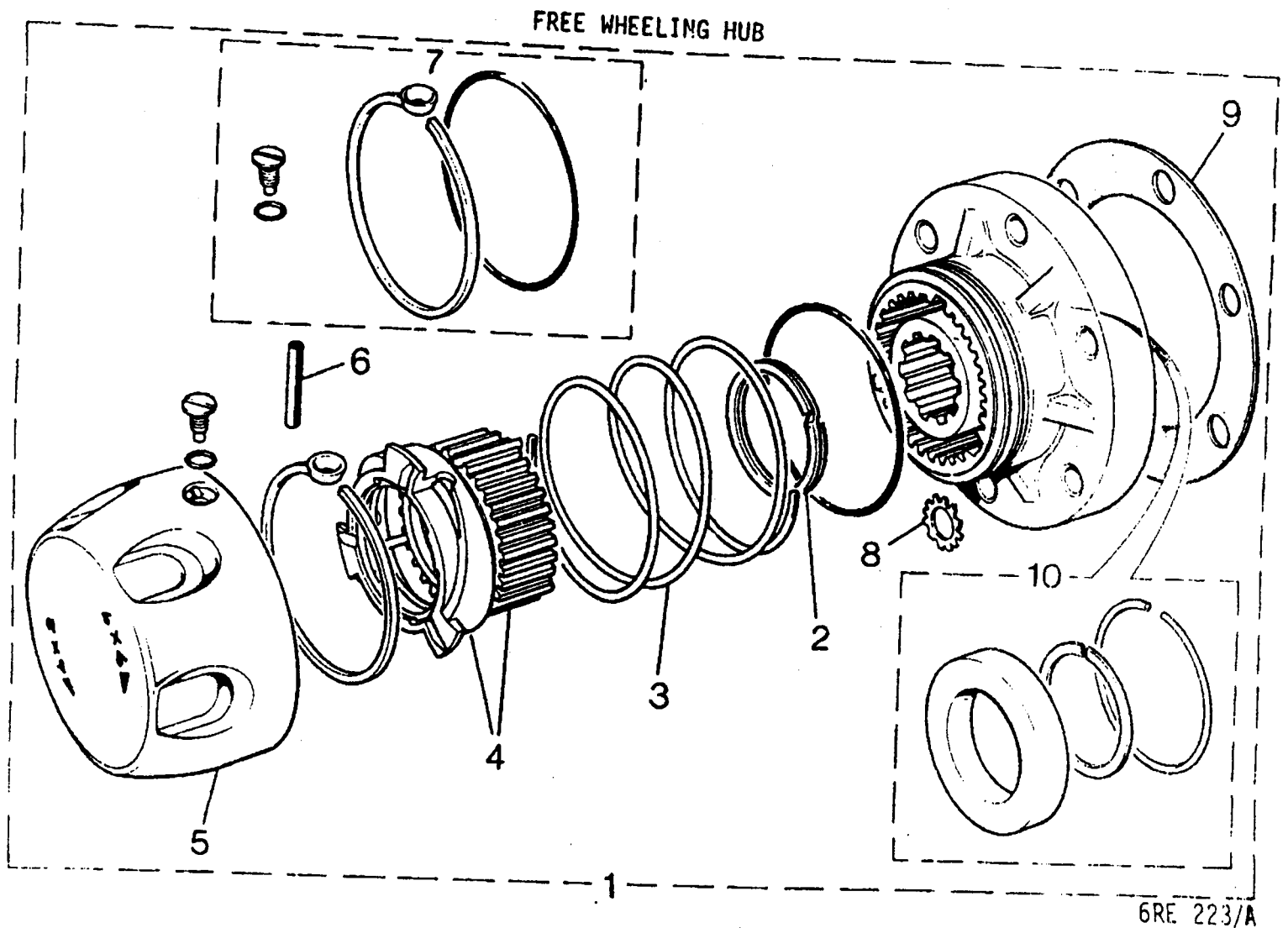


PARTS LIST

Plate Ref	Description	Qty	Part No	Remarks
1	Free wheeling hub kit Series IIA-III 88" IIA 109"	1	RTC8021	For 88" models comprising two complete installations.
	Free wheeling hub kit Series III 109"	1	RTC8022	For 109" models comprising two complete installations.
2	Spirolox ring	2	556445	109" only
3	Main spring	2	RTC7131	
4	Actuator assembly	2	RTC7132	
5	Hub cover	2	RTC7133	
6	Roll pin	2	RTC7134	88" only
7	Roll pin	2	RTC7135	109" only
7	Service kit	2	RTC7136	
8	Shakeproof washer	2	WE110001	
9	Gasket	12	GFG106	
10	Bearing kit	2	RTC7137	

Note: Parts not carrying a plate reference are N.S.S. (not supplied separately)

Encloses parts which form an assembly or kit.



### PARTS LIST

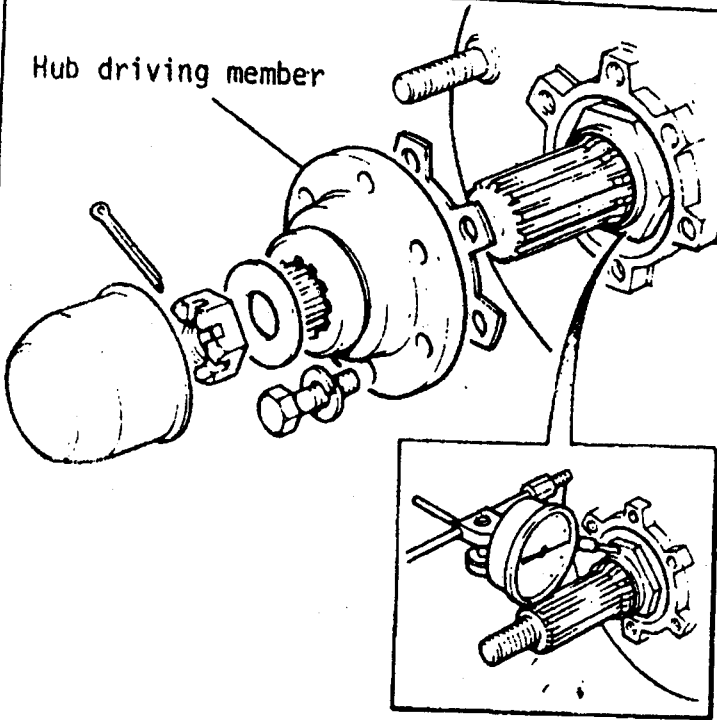
Plate Ref	Description	Qty	Part No	Remarks
1	Free wheeling hub kit Series IIA-III 88" IIA 109"	1	RTC8021	For 88" models comprising two complete installations.
	Free wheeling hub kit Series III 109"	1	RTC8022	For 109" models comprising two complete installations. 109" only
2	Spirolox ring	2	556445	
3	Main spring	2	RTC7131	
4	Actuator assembly	2	RTC7132	
5	Hub cover	2	RTC7133	
6	Roll pin	2	RTC7133	
	Roll pin	2	RTC7134	88" only
7	Service kit	2	RTC7135	109" only
8	Shakeproof washer	2	RTC7136	
9	Gasket	12	WE110001	
10	Bearing kit	2	GFG106	
		2	RTC7137	

Note: Parts not carrying a plate reference are U.S.S. (not supplied separately)

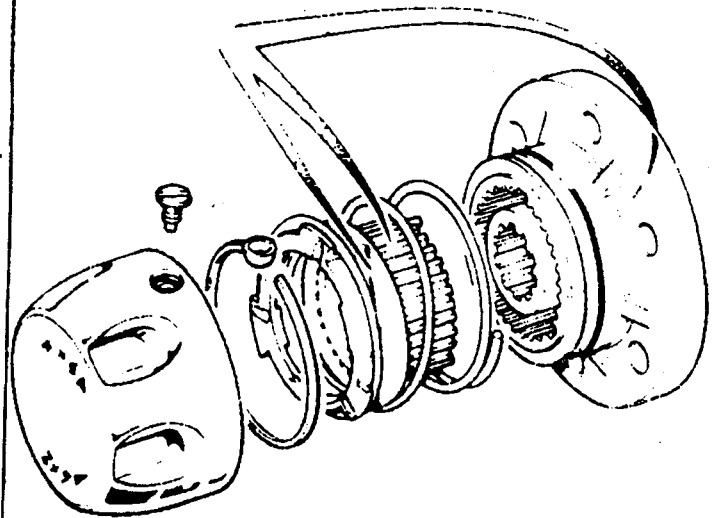
Encloses parts which form an assembly or kit.

# FITTING INSTRUCTIONS

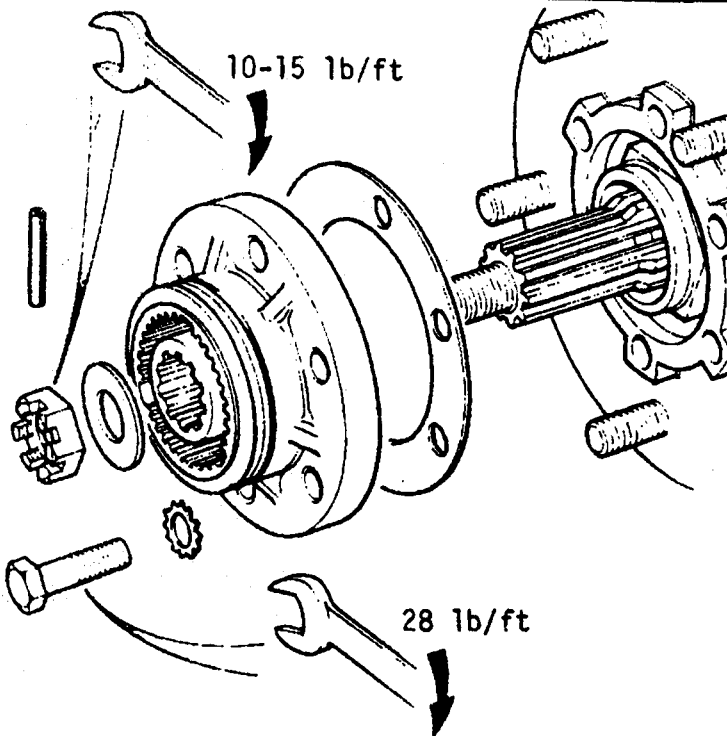
Hub driving member



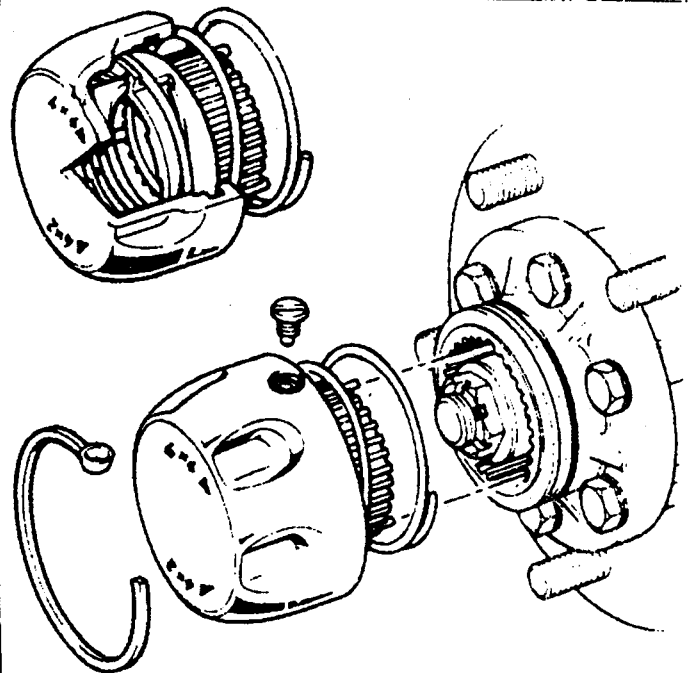
1 Remove hub driving member, discard spring washers. Check bearings for end float and adjust if necessary.



2 Remove the locking screw, and holding hub body and cover firmly together, withdraw retaining strip using the plastic rod provided. Separate carefully because of the spring pressure. Grease the hub bearing and the cam face and splines of the actuator assembly with Rocol MTS 1000.



3 Secure hub body using new gasket, existing bolts and additional shakeproof washers, tighten in opposite pairs. Tighten castellated nut and install roll pin.



4 Position actuator assembly on top of the cams inside the cap and offer these parts to the hub body ensuring that the three pins enter the three large splines. Push fully home and secure with retaining strip and locking screw. Check operation of hubs. Affix warning notice to vehicle. Check oil level in swivel housing.